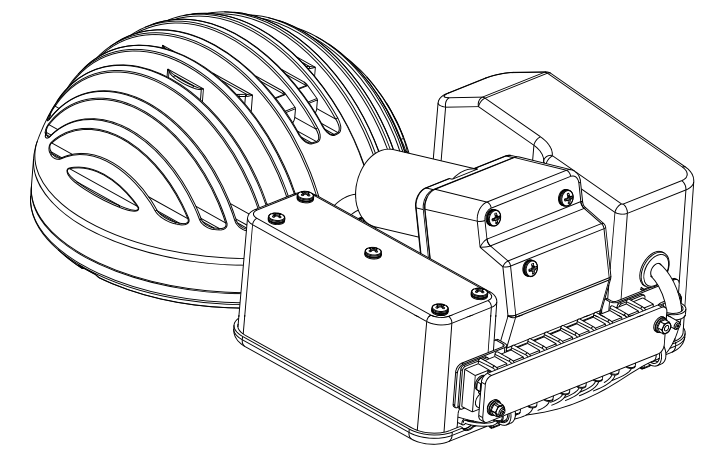
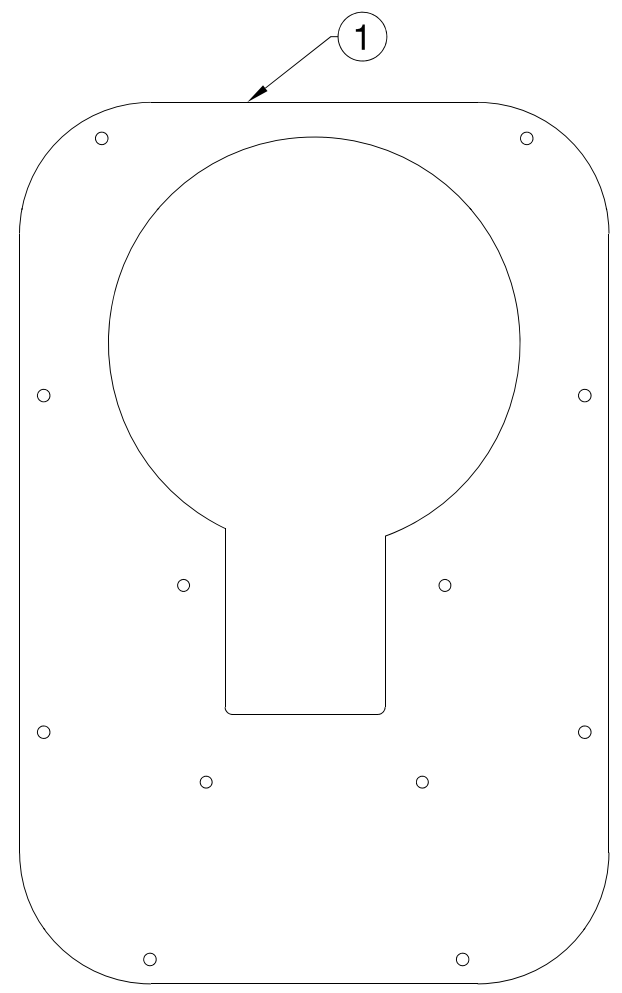
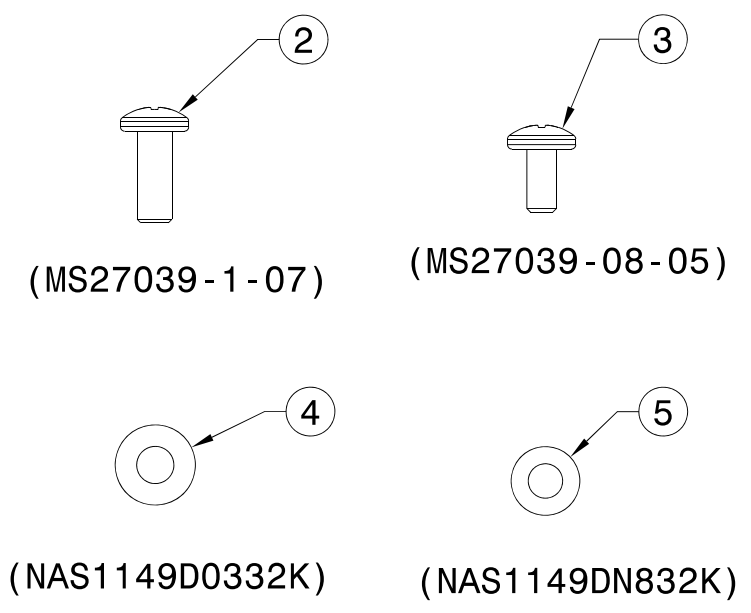
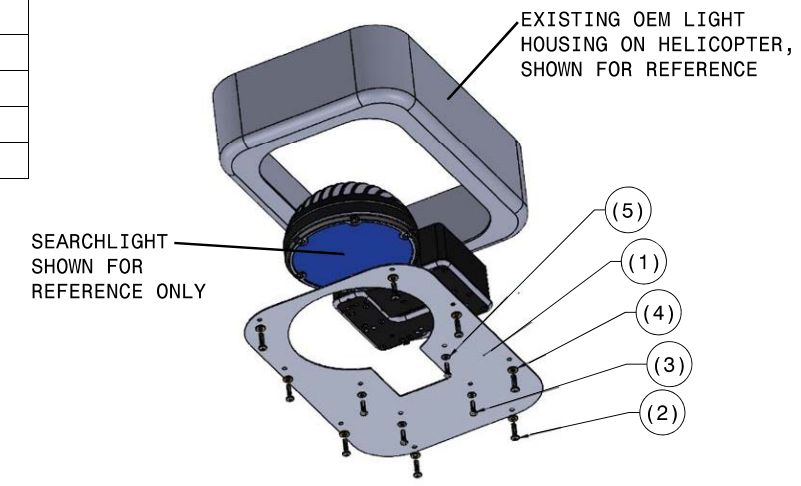


REVISIONS						
REV	ECO	DESCRIPTION	REL DATE	DWN	CHK	APR
A	XXXXXX	INITIAL RELEASE	XX-XX-XX	XXX	XXX	XXX

NOTES: (UNLESS OTHERWISE SPECIFIED)

- MARKING: PART SHALL BE IDENTIFIED IN ACCORDANCE WITH LPS-258.
- KIT CONTAINS PART NUMBERS IN TABLE 1.

TABLE 1			
ITEM	QTY	PART NUMBER	DESCRIPTION
1	1	ST-20-505-1	LS280/LS400 LIGHT S.P. DELETE PANEL
2	8	MS27039-1-07	MACHINE SCREW #10-32
3	4	MS27039-08-05	MACHINE SCREW #8-32
4	8	NAS1149D0332K	ALUMINUM WASHER #10
5	4	NAS1149DN832K	ALUMINUM WASHER #8



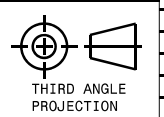
0231687-101
SHOWN FOR REFERENCE ONLY
Scale: 1:3

(ST-20-505-1)
Scale: 1:3

PART NO. 0231743-101

SEE BILL OF MATERIAL 0231743101, REV A

THE INFORMATION CONTAINED ON THIS DOCUMENT IS PROPRIETARY TO LUMINATOR HOLDING, L.P., AND SHALL NOT BE USED OR REPRODUCED WITHOUT PRIOR WRITTEN CONSENT.



UNLESS OTHERWISE SPECIFIED DIMENSIONS ARE IN INCHES	DESIGN ENG A. HOANG	DATE 9/01/20	 Plano, Texas TITLE KIT, RETROFIT, AW139 LS400
TOLERANCES ON 2 PLACE DECIMAL ±.02 3 PLACE DECIMAL ±.010	DRAWN A. HOANG	DATE 9/01/20	
HOLE DIAMETER TOLERANCES .000-.500 +.005 +.005 +.010 -.001 -.001	MFG ENG XXX	DATE XXX	CAGE CODE B OVDA9
THIRD ANGLE PROJECTION	CHECKER XXX	DATE XXX	DWG NO. 0231743
NEXT ASSY	APPROVAL XXX	DATE XXX	REV A
USED ON	APPLICATION	ANGLES ±1°	SCALE: 1/1 WT. N/A SH NO. 1 OF 1