

# GOOSENECK LIGHT

LED GOOSENECK LIGHT



## • LED GOOSENECK LIGHT

The LED Gooseneck Light is designed for use in a variety of applications, including use as both a medical and map reading light. Its flexible neck enables it to be easily positioned and its simple to use 3 buttons allow it to be used with ease.

- Dimmable
- NVIS Friendly
- NVIS compatible option available
- Input voltage 18-28 VDC
- Sealing rated to IP54
- Primary colour – white 5600K
- Secondary lighting colour options - red, green
- Variety of neck lengths available
- Straight and angled head available
- A variety of interface solutions available
- Straightforward controls – On/Off, brighter, dimmer

Subject to change without notice. Any liability for errors and omissions is excluded.

## LFD LIMITED

Zenith House, Lederle Lane, Gosport, Hampshire, PO13 0FZ England

Tel: +44 (0)1329 239995

www.lfd.ltd.uk email sales@lfd.ltd.uk

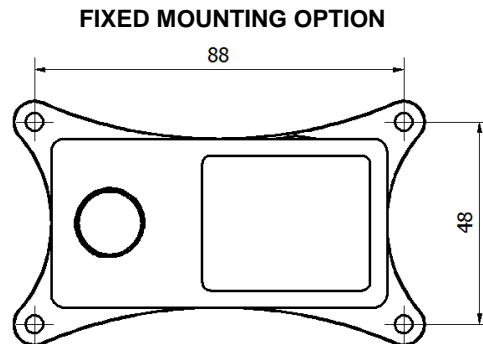
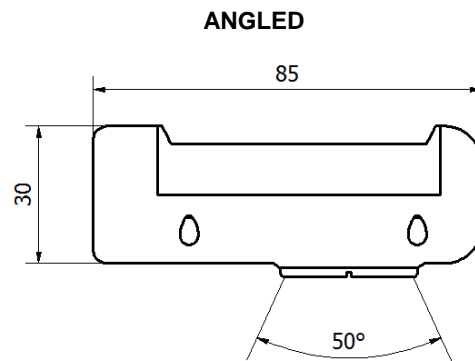
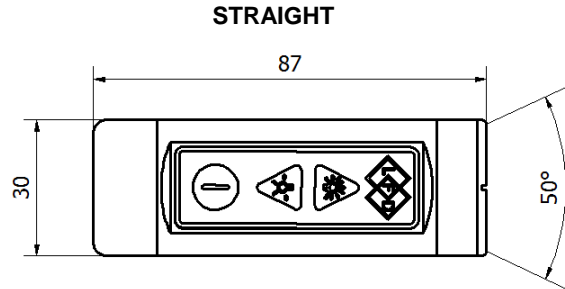
# GOOSENECK LIGHT

LED GOOSENECK LIGHT



## Specification

- Can be supplied with a variety of connectors
- A variety of interface options are available for mounting in various locations (contact manufacturer for more details)
- The neck may be supplied of lengths 250mm, 500mm
- The primary white light is of colour temperature 5600K
- A light weight of 350g
- 3 Buttons contained on the top of the light itself with clear markings to show their function – Power/cycle lights, increase intensity, decrease intensity
- It may be supplied with a coiled 22 gauge cable 1.5m in length or with a shorter, straight cable
- The optional coloured lights may be cycled using the power button
- The set intensity is retained internally for when the unit is next turned on
- Has a primary white light intensity of 400 lux at 0°



Subject to change without notice. Any liability for errors and omissions is excluded.

## LFD LIMITED

Zenith House, Lederle Lane, Gosport, Hampshire, PO13 0FZ England

Tel: 44 (0) 01329 239995

www.lfd.ltd.uk email sales@lfd.ltd.uk